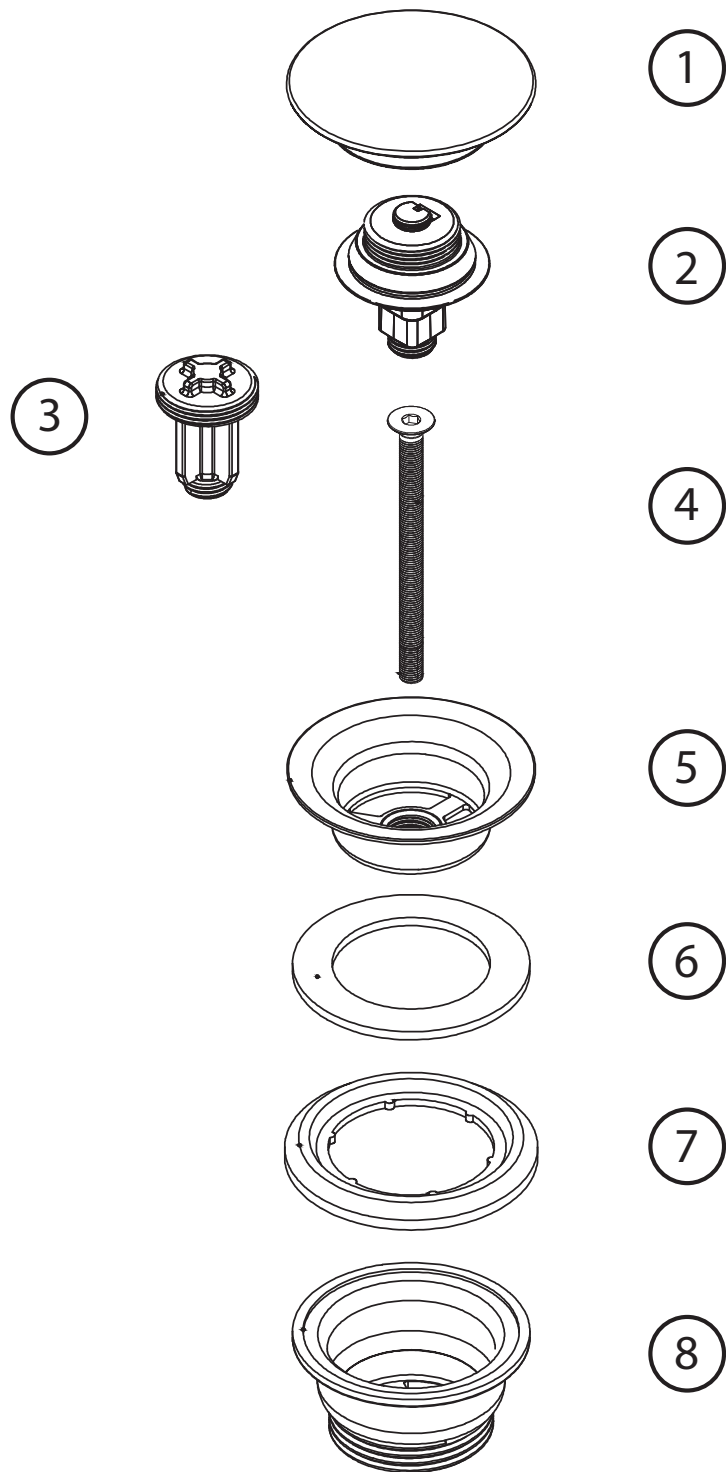


1. Cover lid
2. Core
3. Static function
4. Screw
5. Connector
6. Sealer
7. Washer
8. Body



Steel Pop-up universal Duo Sand

Art no: 10916 RSK: 8560061

SCANDTAP[®]
BATHROOM CONCEPTS

Scandtap AB, Olofsdalsvägen 21, 302 41 Halmstad, Sweden
info@scandtap.com, www.scandtap.com

