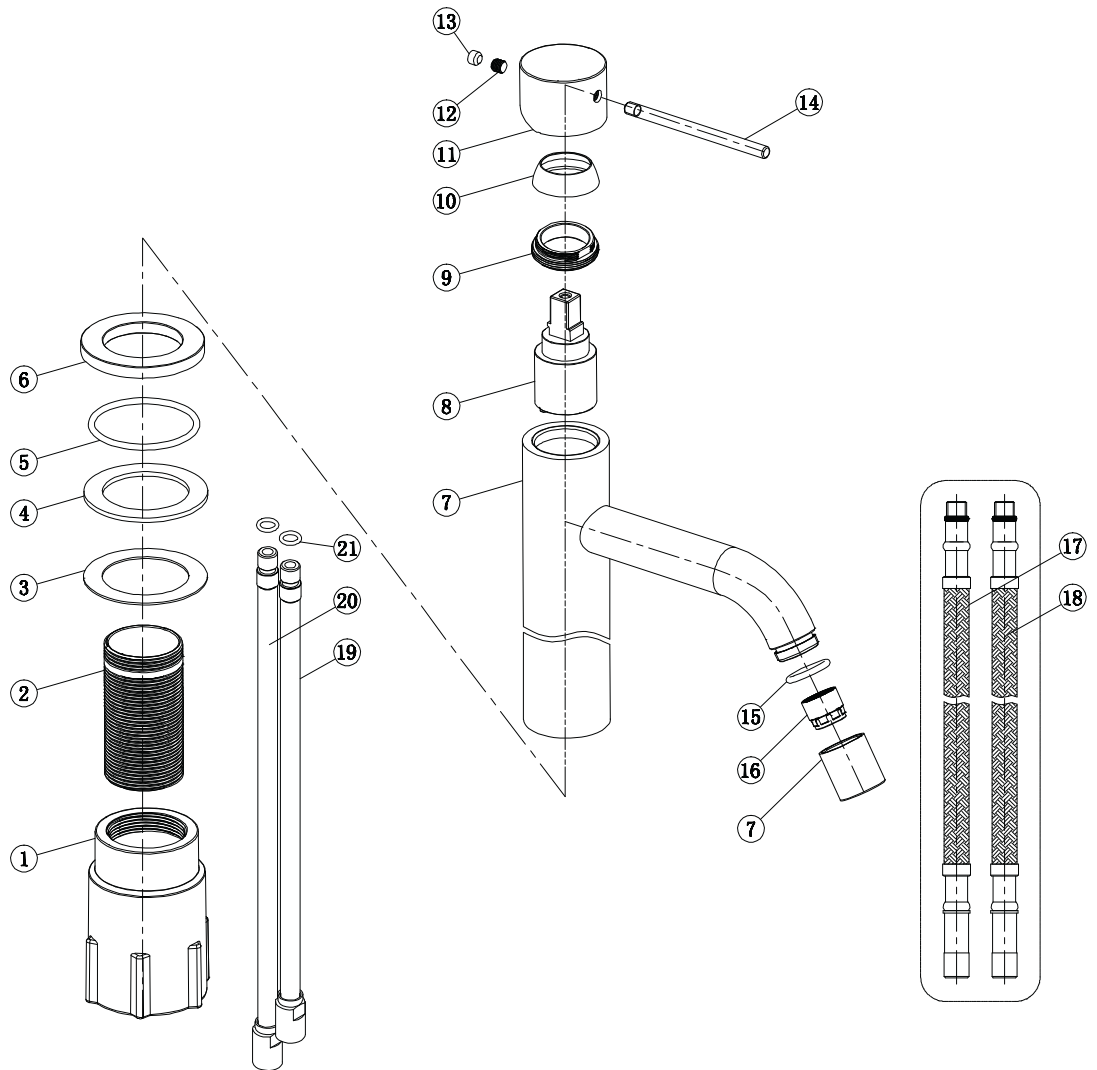


- 1 Fixing bushing
- 2 Threaded tube
- 3 Washer
- 4 Rubber
- 5 O ring
- 6 Base
- 7 Body
- 8 Cartridge
- 9 Screw nut
- 10 Decoration cover
- 11 Handle base
- 12 Inner hex screw
- 13 Decoration rubber
- 14 Handle bar
- 15 O ring
- 16 Aerator
- 17 Flexible hose
- 18 flexible hose
- 19 short tube
- 20 short tube
- 21 o ring



# Steel Voyage High Sand

Art no: 10216 RSK: 8277860

**SCANDTAP®**  
BATHROOM CONCEPTS

Scandtap AB, Olofsdalsvägen 21, 302 41 Halmstad, Sweden  
info@scandtap.com, www.scandtap.com

